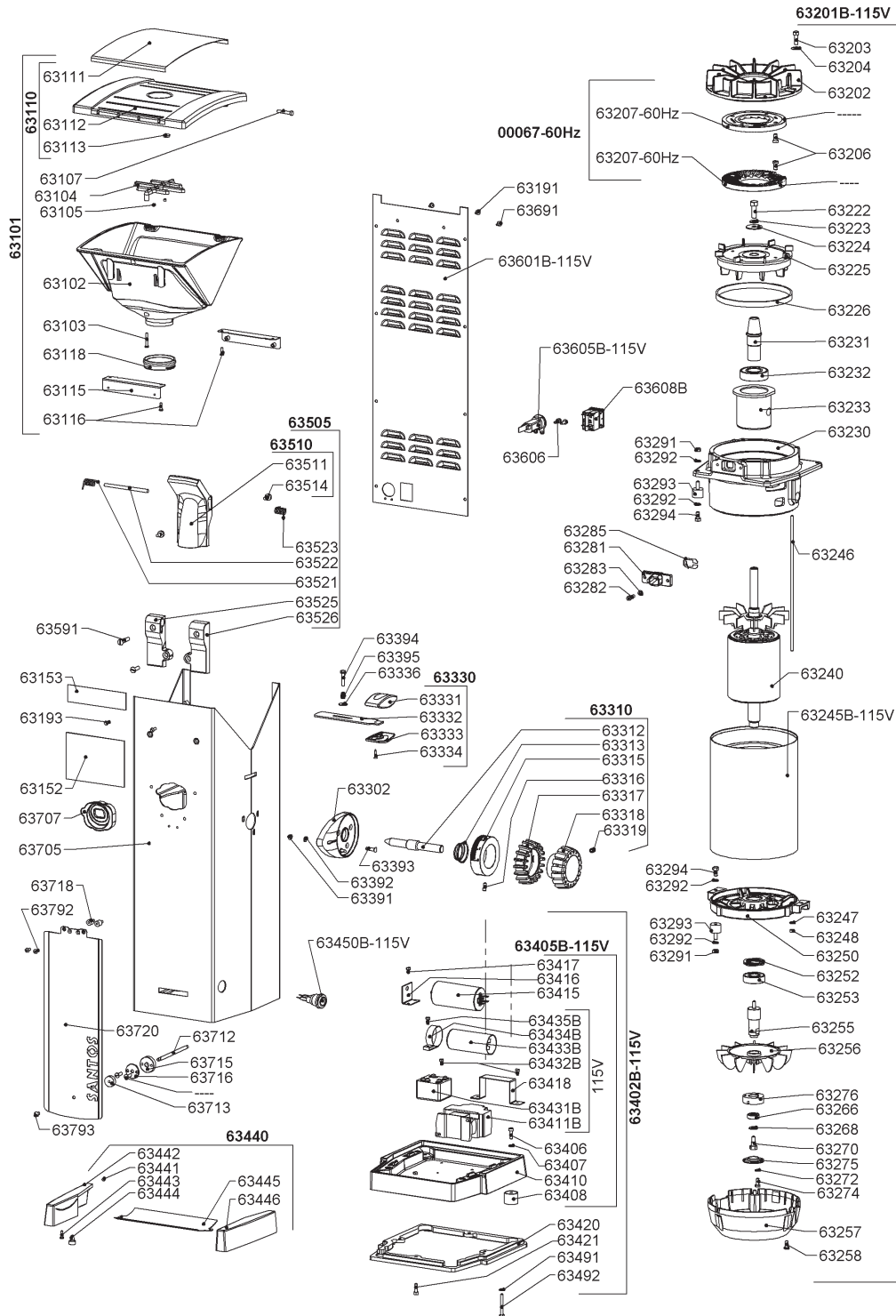


Parts Breakdown

Model Santos 63 44636



Parts Breakdown

Model Santos 63 44636

Item No.	Description	Position	Item No.	Description	Position	Item No.	Description	Position
40661	Set of 2 Santos Grinding Discs Diam. 120mm for 60Hz for 44636	00067	69484	Ball Bearing 6203 for 44636	63253	69524	Complete Bottom Plate 110V for 44636	63402B
69445	Complete Hopper for 44636	63101	69485	Eccentric for 44636	63255	69525	Bottom Plate 110V for 44636	63405B
69446	Hopper for 44636	63102	69486	Fan for 44636	63256	69526	Screw CHC M5x15 ZN for 44636	63406
69447	Screw CBX 4x25 Auto for 44636	63103	69487	Fan Cover for 44636	63257	69527	Washer AZ 5 ZN for 44636	63407
69448	Hopper Spider for 44636	63104	69488	Screw CBX M5x12 ZN Autotar for 44636	63258	69528	Bumper for 44636	63408
69449	Magnet for 44636	63105	69489	Ball Bearing 608 for 44636	63266	69529	Painted Base for 44636	63410
69450	Cover Hinge for 44636	63107	69490	Washer 9x16x1.5 S.Steel for 44636	63268	69530	Relay 115V 50/60Hz for 44636	63411B
69451	Cover Assembly for 44636	63110	69491	Eccentric Bearing Screw for 44636	63270	69531	Capacitor 40µF 450V for 44636	63415
69452	Cover Plate for 44636	63111	69492	Washer AZ 5 ZN for 44636	63272	69532	Capacitor Holding Plate for 44636	63416
69453	Hopper Cover for 44636	63112	69493	Screw H M5x12 ZN for 44636	63274	69533	Screw H M4x8 ZN Auto for 44636	63417
69454	Black Adhesive Bumper for 44636	63113	69494	Bearing Cover for 44636	63275	69534	110V Contactor Holder for 44636	63418
69455	Hopper Holder Angle for 44636	63115	69495	Eccentric Ring V2 for 44636	63276	69535	NSF Base Seal for 44636	63420
69456	Screw CBX 4x12 Auto for 44636	63116	69496	Coffee Output Channel for 44636	63281	69536	Screw H M5x16 ZN Auto for 44636	63421
69457	Hopper Seal for 44636	63118	69497	Screw CHC M5x15 ZN for 44636	63282	69537	Starting Relay 110V for 44636	63431B
69458	Set of 2 Magnet Plates FR+GB 90x126 for 44636	63152	69498	Washer AZ 5 ZN for 44636	63283	69538	Screw H M4x8 ZN Auto for 44636	63432B
69459	Santos Plate for 44636	63153	69499	Coffee Output Flap for 44636	63285	69539	Capacitor 80 µF 100-120V 50/60 Hz for 44636	63433B
69460	Screw RLS M4x8 IN for 44636	63191	69500	Nut HM 6 ZN for 44636	63291	69540	Capacitor Ring for 44636	63434B
69461	Screw FS M4x12 S.Steel for 44636	63193	69501	Washer AZ 6 ZN for 44636	63292	69541	Screw H 4x10 ZN for 44636	63435B
69462	Complete Motor Single Phase 110-120V 60Hz for 44636	63201B	69502	Silentbloc for 44636	63293	69542	Ground Coffee Receptacle for 44636	63440
69463	Top Tray for 44636	63202	69503	Screw H M6x12 ZN for 44636	63294	69543	Magnet for 44636	63441
69464	Screw H M6x20 ZN for 44636	63203	69504	Button Index for 44636	63302	69544	Ground Receptacle Left Foot for 44636	63442
69465	Grower Washer W 6 ZN for 44636	63204	69505	Adjusting Button for 44636	63310	69545	Screw CBX 4x12 Auto for 44636	63443
69466	Screw CS M6x12 S.Steel for 44636	63206	69506	Grind Adjustment Screw for 44636	63312	69546	Bumper Diam. 12 H 7.5 Black for 44636	63444
69467	Diam. 120mm Grinding Disc 60Hz for 44636	63207	69507	Adjusting Button Spring for 44636	63313	69547	Grounds Receptacle for 44636	63445
69468	Screw H M8x25 ZN for 44636	63222	69508	Graduated Ring for 44636	63315	69548	Ground Receptacle Right Foot for 44636	63446
69469	Contact Washer 8 ZN for 44636	63223	69509	Index Locking Screw for 44636	63316	69549	Lighted Push Switch 110V for 44636	63450B
69470	Washer 8x30 S.Steel for 44636	63224	69510	Soft Button for 44636	63317	69550	Contact Washer 5x12 ZN for 44636	63491
69471	Grinding Disc Holding Plate for 44636	63225	69511	Adjusting Button for 44636	63318	69551	Screw H M5x40 S.Steel for 44636	63492
69472	Seal for 44636	63226	69512	Screw HC M8x10 for 44636	63319	69552	Coffee Output Assembly for 44636	63505
69473	Upper Flange for 44636	63230	69513	Obturator for 44636	63330	69553	Coffee Output with Bumpers for 44636	63510
69474	Grinding Disc Holder Shaft for 44636	63231	69514	Shutter Handle for 44636	63331	69554	Coffee Output for 44636	63511
69475	Ball Bearing 6205 for 44636	63232	69515	Shutter Plate for 44636	63332	69555	White Bumper for 44636	63514
69476	Adjusting Ring for 44636	63233	69516	Shutter Handle Closer for 44636	63333	69556	Left Bag Holder Spring for 44636	63521
69477	Rotor with Shaft for 44636	63240	69517	Screw FX 3.5x16 S.Steel Auto for 44636	63334	69557	Bag Holder Axle for 44636	63522
69478	Stator 110-120V 60Hz for 44636	63245B	69518	Washer 5x16x1 ZN for 44636	63336	69558	Right Bag Holder Spring for 44636	63523
69479	Assembling Threaded Rod M5 for 44636	63246	69519	Nut HM 5 ZN for 44636	63391	69559	Left Bag Holder Base for 44636	63525
69480	Washer AZ 5 ZN for 44636	63247	69520	Washer AZ 5 ZN for 44636	63392	69560	Right Bag Holder Base for 44636	63526
69481	Nut HM 5 ZN for 44636	63248	69521	Screw FX M5x20 IN for 44636	63393	69561	Screw FS M6x30 S.Steel for 44636	63591
69482	Rear Flange for 44636	63250	69522	Screw H M 5x25 ZN Auto for 44636	63394	69562	Rear Sheet 115 V for 44636	63601B
69483	Ondulated Washer for 44636	63252	69523	Spring for 44636	63395	69563	Power Cord with US Plug for 44636	63605B

Parts Breakdown

Model Santos 63 44636

Item No.	Description	Position	Item No.	Description	Position	Item No.	Description	Position
69564	Screw H 4.2x12.7 ZN for 44636	63606	69569	Eccentric Rod for 44636	63712	69574	Vibrating Plate for 44636	63720
69565	Rocker Switch for 44636	63608B	69570	Vibrating Plate Holder for 44636	63713	69575	Screw FZ M4x8 S.Steel Auto for 44636	63792
69566	Screw RLS M4x8 S.Steel for 44636	63691	69571	Eccentric Guide Rod for 44636	63715	69576	Screw M5x8 Stainless Steel for 44636	63793
69567	Main Sheet for 44636	63705	69572	Eccentric Guide Cover for 44636	63716			
69568	Conduit Seal for 44636	63707	69573	Silentbloc 10x10 for 44636	63718			